



Spare parts for:

## Coffee grinders



Suitable for:

# SAN MARCO



This catalogue is automatically generated.  
Therefore, the sequence of the items might  
not be always shown at best.  
Updates will be issued in case of additions  
and/or amendments.

*Suitable universal spare parts may not be included*

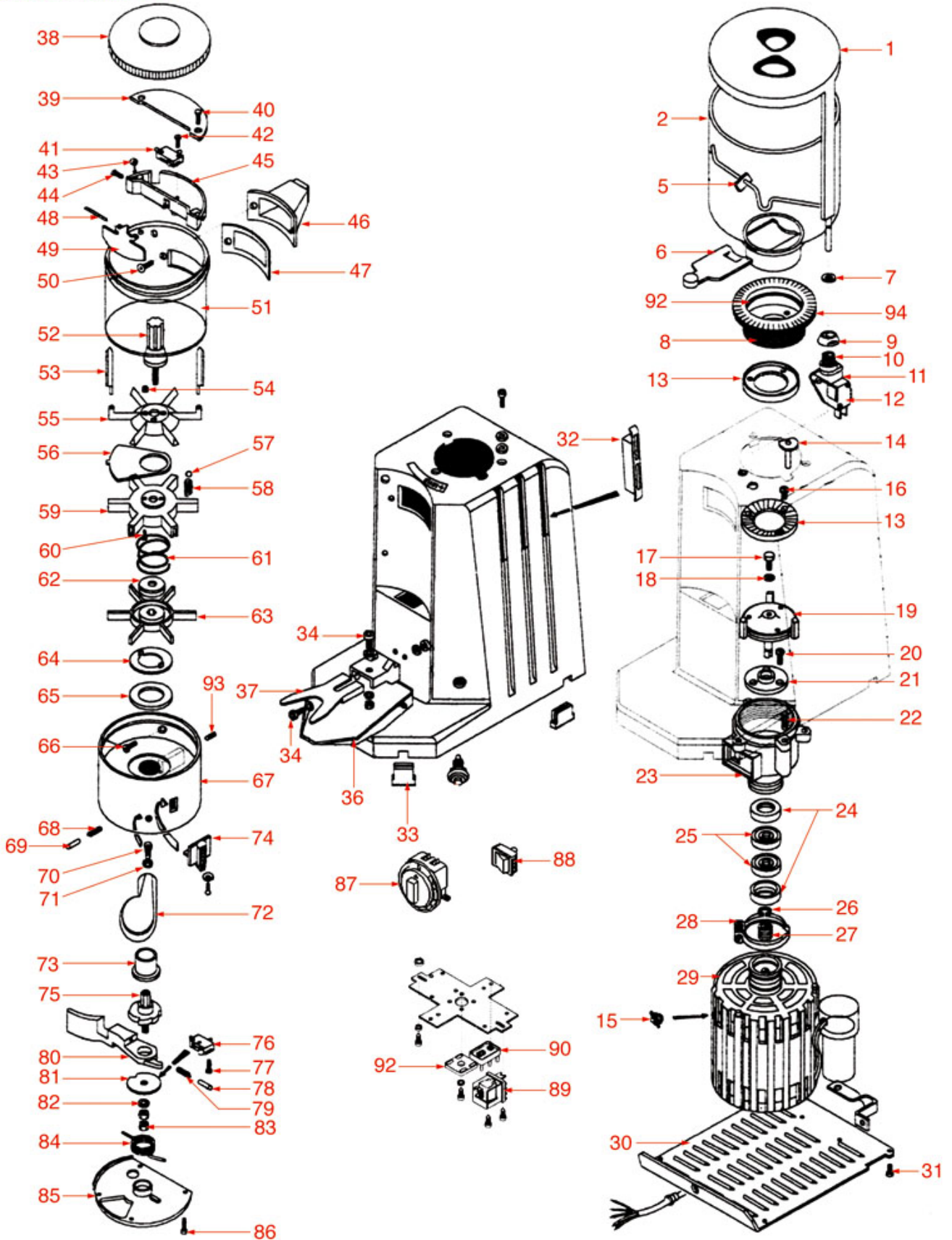






## GRINDER ASSEMBLY SM90-SM90A OLD

SM90-SM90A OLD



SMM0101



# SAN MARCO

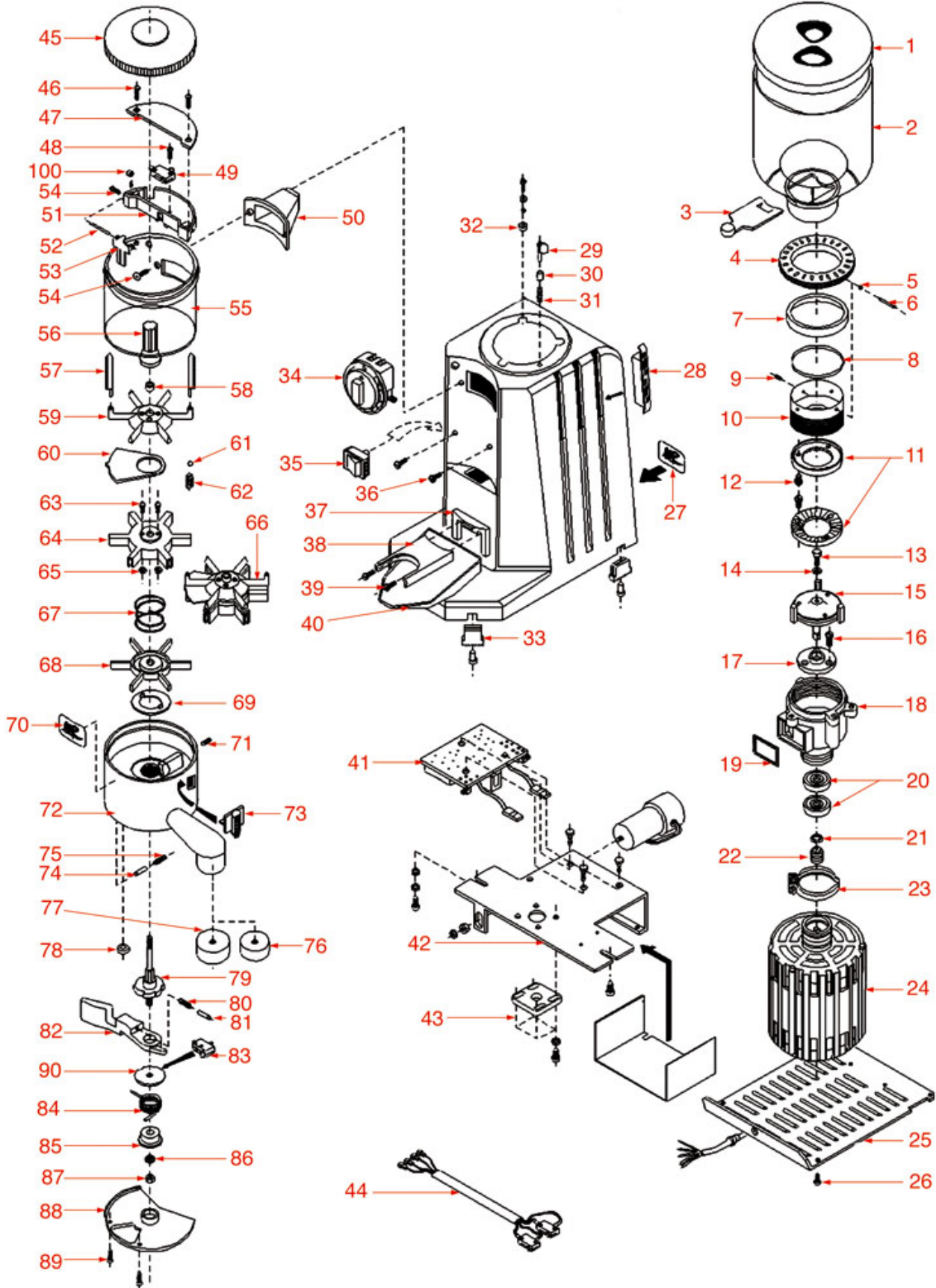


Position	LF code no.	Description
1	1252041	COFFEE HOPPER LID
2	1080004	COFFEE HOPPER
5	1240031	COMPLETE MAGNET
6	1252034	COFFEE HOPPER CLOSING SHEET
7	1186421	O-RING 02018 EPDM
8	1251005	GR.BURRS HOLDER UPPER RING NUT $\varnothing$ 63 mm
9	1252033	THREADED RING NUT
11	1250044	MICROSWITCH SPRING
12	3240123	MICROSWITCH 16A 250V
13	1251086	GRINDING BURRS SAN MARCO (PAIR) RH
16	1528516	CYLINDER HEAD SCREW M5x12
19	1251010	GRINDING BURRS BOTTOM HOLDER
22	1250200	PIN SPRING $\varnothing$ 5.5x32 mm
24	1252042	BEARING GASKET
27	1250059	MOTOR PIN SPRING
28	1168011	STAINLESS STEEL CLAMP FOR FLANGE PUMP
33	1313009	RECTANGULAR FOOT
36	1260006	COFFEE COLLECTING TRAY
37	1251009	FILTER HOLDER FORK
38	1252022	DOSER LID $\varnothing$ 120 mm
39	1252031	MICROSWITCH BOX LID
41	3240123	MICROSWITCH 16A 250V
42	5010319	SELF-TAPPING SCREW M2.9x16
43	3528232	HEXAGONAL NUT MEDIUM SIZE M4
45	1252032	MICROSWITCH BOX
46	1252027	GASKET FOR COFFEE OUTLET OPENING
47	1186485	GASKET FOR COFFEE OUTLET OPENING
48	1240058	PIN FOR FLAP
49	1252038	OVERFLOW FLAP
51	1252023	DOSER CYLINDER
52	1252030	DOSE ADJUSTMENT KNOB
53	1343014	SCRAPER FOR DOSER
54	1348025	HEXAGONAL NUT M3
55	1343004	TOP STAR
56	1252036	DIVIDING SHEET
57	1252039	LOCKING BALL
58	1250049	SPRING FOR STAR CLOSING BALL
59	1343009	CENTRAL STAR
61	1250043	STAR SPRING
63	1343008	BOTTOM STAR
68	1250199	PIN SPRING $\varnothing$ 3.5x20 mm
74	1252470	COUNTER FOR COFFEE GRINDER/DOSER
75	1225030	6-TEETH PAWL WITH KNOB
76	3240406	MICROSWITCH 10(4)A 250V
78	1324113	DOSER LEVER PIN $\varnothing$ 5x16 mm
79	1250045	PIN SPRING
80	1252026	DOSER LEVER
83	1528030	MID HEXAGONAL NUT M6
84	1250048	DOSER LEVER RETURN SPRING
87	3446151	TIMER 5 MINUTES C20
88	3319029	GREEN BIPOLAR SWITCH 16A 250V
89	3351007	POWER RELAY FINDER 55.32.8.230.0040
92	1186763	O-RING 0171 EPDM



## GRINDER ASSEMBLY SM90-SM90A NEW

**SM90-SM90A NEW**



SMM0201

Positions without LF code no.: upon request



# SAN MARCO

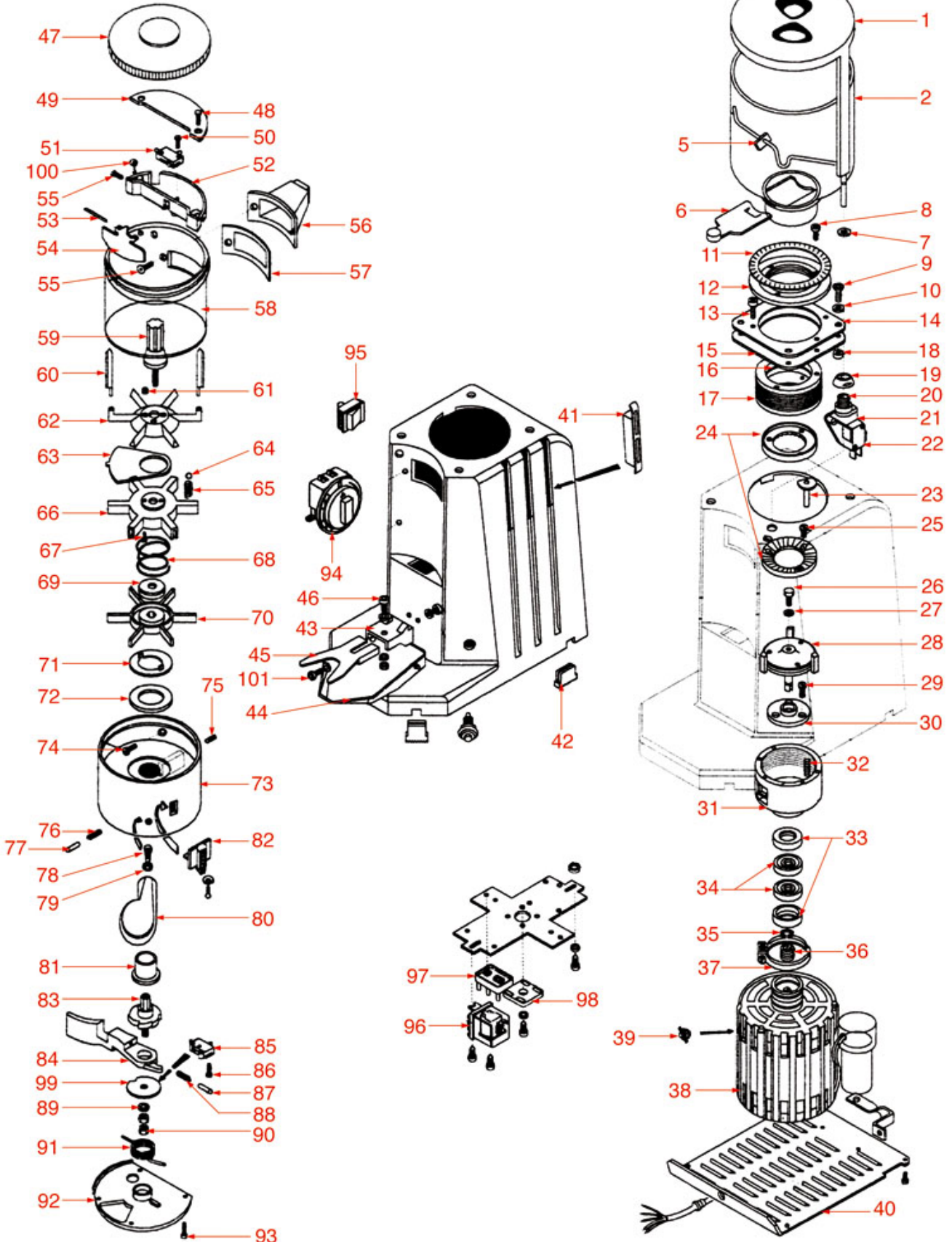


Position	LF code no.	Description
1	1080099	COFFEE HOPPER LID ø 180 mm
2	1080004	COFFEE HOPPER
3	1252034	COFFEE HOPPER CLOSING SHEET
5	1348817	STAINLESS STEEL CIRCLIP RA-4 UNI 7437
7	1186739	GASKET ø 98x80x9 mm
8	1186763	O-RING 0171 EPDM
10	1251143	GRINDING BURRS UPPER HOLDER
11	1251086	GRINDING BURRS SAN MARCO (PAIR) RH
12	1528516	CYLINDER HEAD SCREW M5x12
15	1251010	GRINDING BURRS BOTTOM HOLDER
19	1186485	GASKET FOR COFFEE OUTLET OPENING
22	1250059	MOTOR PIN SPRING
23	1168011	STAINLESS STEEL CLAMP FOR FLANGE PUMP
29	1252464	LOCKING PIN
30	1252456	BUSHING ø 7x6x5,5 mm
31	1250200	PIN SPRING ø 5.5x32 mm
33	1313009	RECTANGULAR FOOT
34	3446151	TIMER 5 MINUTES C20
35	3319029	GREEN BIPOLAR SWITCH 16A 250V
38	1162019	FILTER HOLDER FORK
40	1260009	COFFEE COLLECTION TRAY
41	1390016	PRINTED CIRCUIT BOARD 230V
45	1252022	DOSER LID ø 120 mm
47	1252031	MICROSWITCH BOX LID
48	5010319	SELF-TAPPING SCREW M2.9x16
49	3240123	MICROSWITCH 16A 250V
50	1252027	GASKET FOR COFFEE OUTLET OPENING
51	1252032	MICROSWITCH BOX
52	1240058	PIN FOR FLAP
53	1252038	OVERFLOW FLAP
55	1252023	DOSER CYLINDER
56	1241088	ADJUSTMENT KNOB
57	1343014	SCRAPER FOR DOSER
59	1343004	TOP STAR
60	1252036	DIVIDING SHEET
61	1252039	LOCKING BALL
62	1250049	SPRING FOR STAR CLOSING BALL
64	1343009	CENTRAL STAR
65	1348025	HEXAGONAL NUT M3
67	1250043	STAR SPRING
68	1343008	BOTTOM STAR
73	1252470	COUNTER FOR COFFEE GRINDER/DOSER
75	1250199	PIN SPRING ø 3.5x20 mm
76	1385021	TAMPER ø 53,7 mm
77	1385022	TAMPER ø 56,5 mm
79	1252028	DOSER LEVER PIN
80	1250045	PIN SPRING
81	1324113	DOSER LEVER PIN ø 5x16 mm
82	1252026	DOSER LEVER
83	3240406	MICROSWITCH 10(4)A 250V
84	1250048	DOSER LEVER RETURN SPRING
87	1528030	MID HEXAGONAL NUT M6
100	3528232	HEXAGONAL NUT MEDIUM SIZE M4



## GRINDER ASSEMBLY SM95-SM95A OLD

**SM95-SM95A OLD**



SMM0301

Positions without LF code no.: upon request



# SAN MARCO



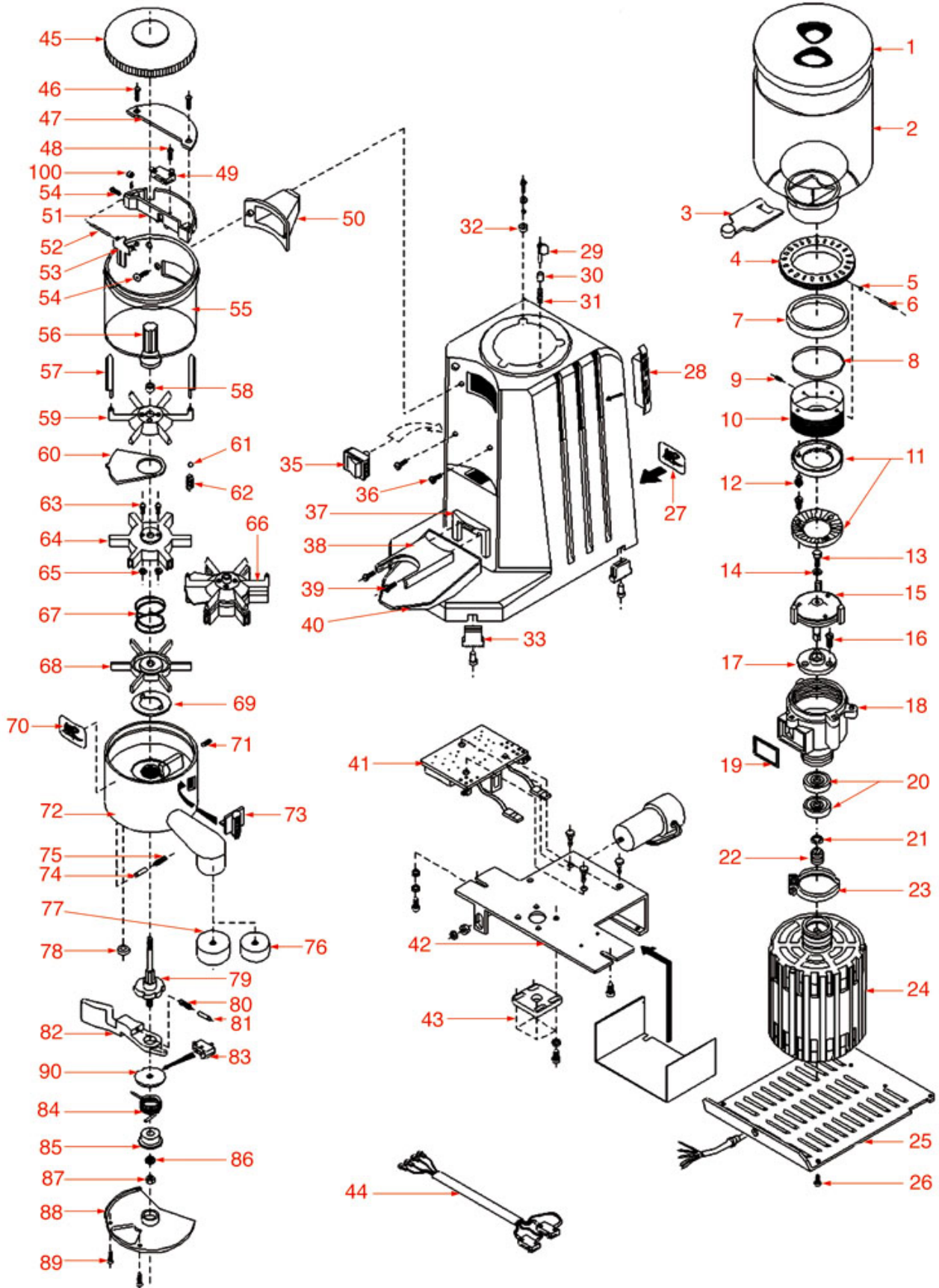
Position	LF code no.	Description
1	1252041	COFFEE HOPPER LID
2	1080004	COFFEE HOPPER
5	1240031	COMPLETE MAGNET
6	1252034	COFFEE HOPPER CLOSING SHEET
7	1186421	O-RING 02018 EPDM
16	1186763	O-RING 0171 EPDM
19	1252033	THREADED RING NUT
21	1250044	MICROSWITCH SPRING
22	3240123	MICROSWITCH 16A 250V
24	1251087	GRINDING BURRS SAN MARCO (PAIR) RH
25	1528516	CYLINDER HEAD SCREW M5x12
28	1251133	GRINDING BURRS BOTTOM HOLDER ø 84 mm
32	1250200	PIN SPRING ø 5.5x32 mm
33	1252042	BEARING GASKET
36	1250059	MOTOR PIN SPRING
37	1168011	STAINLESS STEEL CLAMP FOR FLANGE PUMP
42	1313009	RECTANGULAR FOOT
44	1260006	COFFEE COLLECTING TRAY
45	1251009	FILTER HOLDER FORK
47	1252022	DOSER LID ø 120 mm
49	1252031	MICROSWITCH BOX LID
50	5010319	SELF-TAPPING SCREW M2.9x16
51	3240123	MICROSWITCH 16A 250V
52	1252032	MICROSWITCH BOX
53	1240058	PIN FOR FLAP
54	1252038	OVERFLOW FLAP
56	1252027	GASKET FOR COFFEE OUTLET OPENING
57	1186485	GASKET FOR COFFEE OUTLET OPENING
58	1252023	DOSER CYLINDER
59	1252030	DOSE ADJUSTMENT KNOB
60	1343014	SCRAPER FOR DOSER
61	1348025	HEXAGONAL NUT M3
62	1343004	TOP STAR
63	1252036	DIVIDING SHEET
64	1252039	LOCKING BALL
65	1250049	SPRING FOR STAR CLOSING BALL
66	1343009	CENTRAL STAR
68	1250043	STAR SPRING
70	1343008	BOTTOM STAR
76	1250199	PIN SPRING ø 3.5x20 mm
82	1252470	COUNTER FOR COFFEE GRINDER/DOSER
83	1225030	6-TEETH PAWL WITH KNOB
84	1252026	DOSER LEVER
85	3240406	MICROSWITCH 10(4)A 250V
87	1324113	DOSER LEVER PIN ø 5x16 mm
88	1250045	PIN SPRING
90	1528030	MID HEXAGONAL NUT M6
91	1250048	DOSER LEVER RETURN SPRING
94	3446151	TIMER 5 MINUTES C20
95	3319029	GREEN BIPOLAR SWITCH 16A 250V
96	3351007	POWER RELAY FINDER 55.32.8.230.0040
100	3528232	HEXAGONAL NUT MEDIUM SIZE M4





## GRINDER ASSEMBLY SM95-SM95A NEW

**SM95-SM95A NEW**



SMM0401



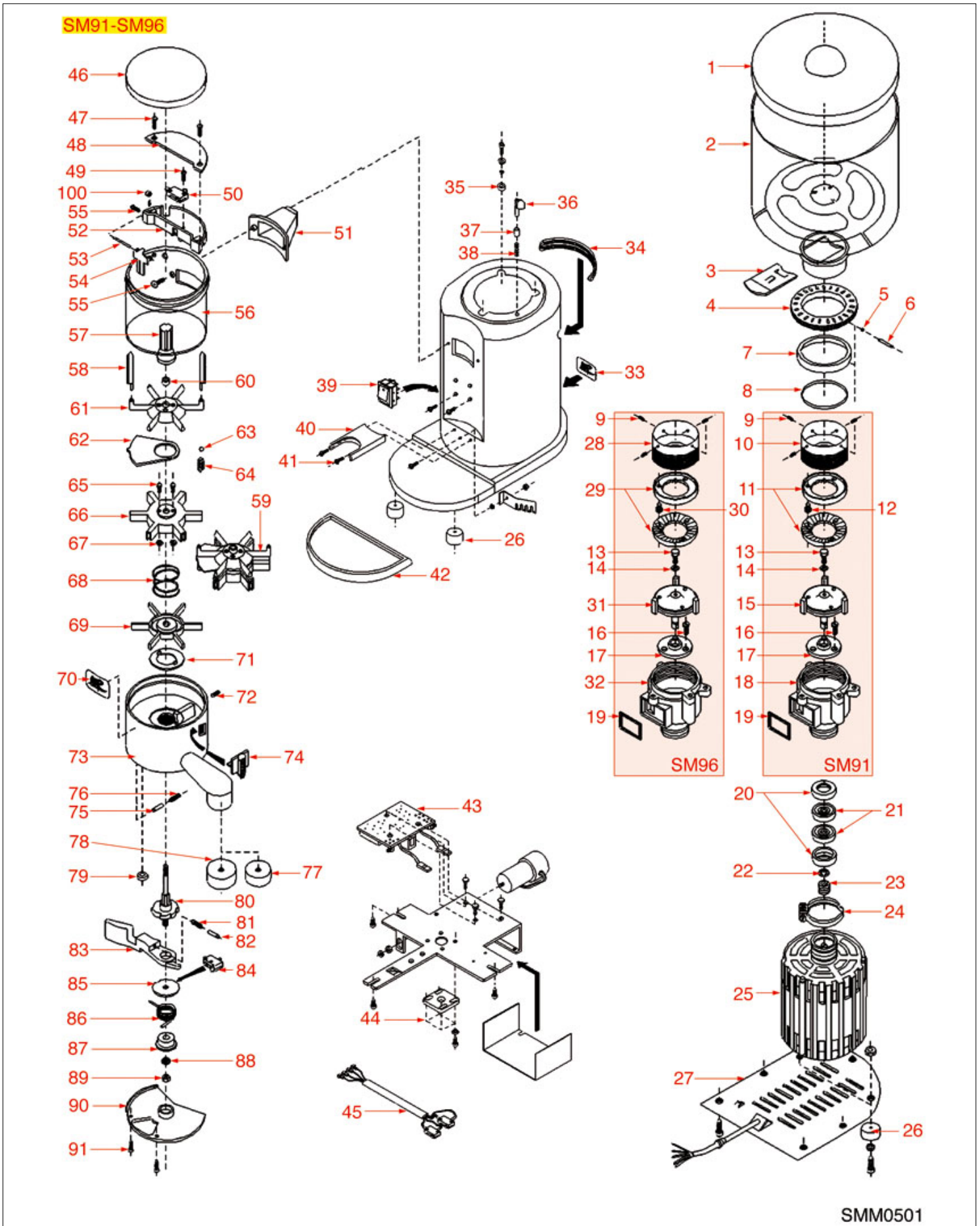
# SAN MARCO



Position	LF code no.	Description
1	1080099	COFFEE HOPPER LID ø 180 mm
2	1080004	COFFEE HOPPER
3	1252034	COFFEE HOPPER CLOSING SHEET
5	1348817	STAINLESS STEEL CIRCLIP RA-4 UNI 7437
7	1186739	GASKET ø 98x80x9 mm
8	1186763	O-RING 0171 EPDM
11	1251087	GRINDING BURRS SAN MARCO (PAIR) RH
12	1528516	CYLINDER HEAD SCREW M5x12
19	1186485	GASKET FOR COFFEE OUTLET OPENING
22	1250059	MOTOR PIN SPRING
23	1168011	STAINLESS STEEL CLAMP FOR FLANGE PUMP
29	1252464	LOCKING PIN
30	1252456	BUSHING ø 7x6x5,5 mm
31	1250200	PIN SPRING ø 5.5x32 mm
33	1313009	RECTANGULAR FOOT
35	3319029	GREEN BIPOLAR SWITCH 16A 250V
38	1162019	FILTER HOLDER FORK
40	1260009	COFFEE COLLECTION TRAY
41	1390016	PRINTED CIRCUIT BOARD 230V
45	1252022	DOSER LID ø 120 mm
47	1252031	MICROSWITCH BOX LID
48	5010319	SELF-TAPPING SCREW M2.9x16
49	3240123	MICROSWITCH 16A 250V
50	1252027	GASKET FOR COFFEE OUTLET OPENING
51	1252032	MICROSWITCH BOX
52	1240058	PIN FOR FLAP
53	1252038	OVERFLOW FLAP
55	1252023	DOSER CYLINDER
56	1241088	ADJUSTMENT KNOB
57	1343014	SCRAPER FOR DOSER
59	1343004	TOP STAR
60	1252036	DIVIDING SHEET
61	1252039	LOCKING BALL
62	1250049	SPRING FOR STAR CLOSING BALL
64	1343009	CENTRAL STAR
65	1348025	HEXAGONAL NUT M3
67	1250043	STAR SPRING
68	1343008	BOTTOM STAR
73	1252470	COUNTER FOR COFFEE GRINDER/DOSER
75	1250199	PIN SPRING ø 3.5x20 mm
76	1385021	TAMPER ø 53,7 mm
77	1385022	TAMPER ø 56,5 mm
79	1252028	DOSER LEVER PIN
80	1250045	PIN SPRING
81	1324113	DOSER LEVER PIN ø 5x16 mm
82	1252026	DOSER LEVER
83	3240406	MICROSWITCH 10(4)A 250V
84	1250048	DOSER LEVER RETURN SPRING
87	1528030	MID HEXAGONAL NUT M6
100	3528232	HEXAGONAL NUT MEDIUM SIZE M4



## GRINDER ASSEMBLY SM91-SM96



Positions without LF code no.: upon request



# SAN MARCO

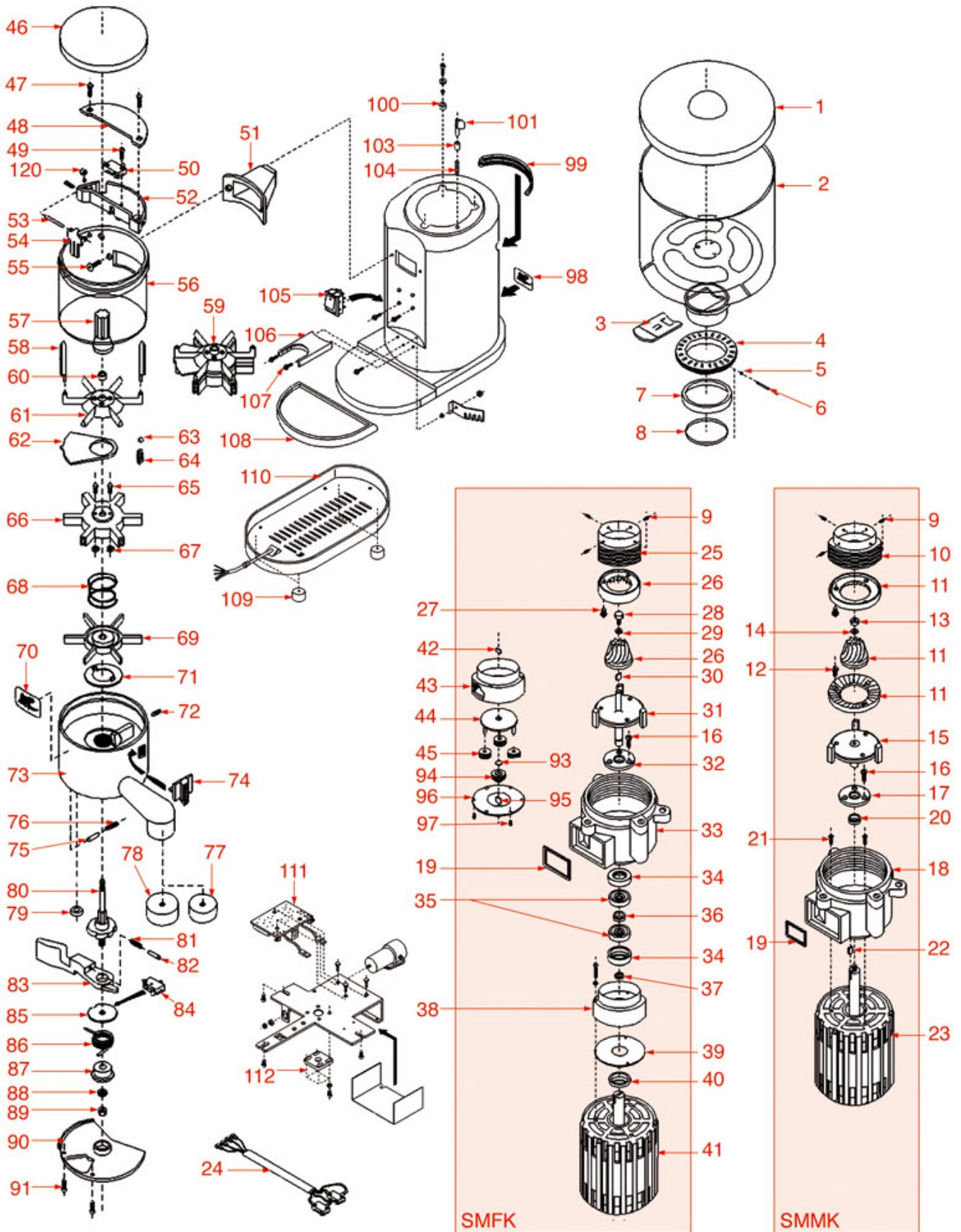


Position	LF code no.	Description
1	1252040	COFFEE HOPPER LID $\varnothing$ 225 mm
2	1080003	COFFEE CONTAINER 4.6 L
2	1080005	COFFEE CONTAINER 6 L
3	1252035	COFFEE HOPPER CLOSING SHEET
5	1348817	STAINLESS STEEL CIRCLIP RA-4 UNI 7437
7	1186739	GASKET $\varnothing$ 98x80x9 mm
8	1186763	O-RING 0171 EPDM
10	1251143	GRINDING BURRS UPPER HOLDER
11	1251086	GRINDING BURRS SAN MARCO (PAIR) RH
12	1528516	CYLINDER HEAD SCREW M5x12
15	1251010	GRINDING BURRS BOTTOM HOLDER
19	1186485	GASKET FOR COFFEE OUTLET OPENING
20	1252042	BEARING GASKET
23	1250059	MOTOR PIN SPRING
24	1168011	STAINLESS STEEL CLAMP FOR FLANGE PUMP
29	1251087	GRINDING BURRS SAN MARCO (PAIR) RH
30	1528516	CYLINDER HEAD SCREW M5x12
31	1251133	GRINDING BURRS BOTTOM HOLDER $\varnothing$ 84 mm
37	1252456	BUSHING $\varnothing$ 7x6x5,5 mm
38	1250200	PIN SPRING $\varnothing$ 5.5x32 mm
39	3319295	BLACK BIPOLAR SWITCH 16A 250V
40	1251013	FILTER HOLDER FORK
42	1260005	COFFEE COLLECTION TRAY
43	1390016	PRINTED CIRCUIT BOARD 230V
46	1252029	DOSER LID
48	1252031	MICROSWITCH BOX LID
49	5010319	SELF-TAPPING SCREW M2.9x16
50	3240123	MICROSWITCH 16A 250V
51	1252027	GASKET FOR COFFEE OUTLET OPENING
52	1252032	MICROSWITCH BOX
53	1240058	PIN FOR FLAP
54	1252038	OVERFLOW FLAP
57	1252043	DOSE ADJUSTMENT KNOB
58	1343068	DOSER SCRAPER
61	1343007	TOP STAR
62	1252036	DIVIDING SHEET
63	1252039	LOCKING BALL
64	1250049	SPRING FOR STAR CLOSING BALL
66	1343005	CENTRAL STAR
67	1348025	HEXAGONAL NUT M3
68	1250043	STAR SPRING
69	1343003	BOTTOM STAR
74	1252470	COUNTER FOR COFFEE GRINDER/DOSER
76	1250199	PIN SPRING $\varnothing$ 3.5x20 mm
77	1385018	COFFEE TAMPER $\varnothing$ 56.5 mm
78	1385008	TAMPER $\varnothing$ 53
80	1252028	DOSER LEVER PIN
81	1250045	PIN SPRING
82	1324113	DOSER LEVER PIN $\varnothing$ 5x16 mm
83	1252026	DOSER LEVER
84	3240406	MICROSWITCH 10(4)A 250V
86	1250048	DOSER LEVER RETURN SPRING
89	1528030	MID HEXAGONAL NUT M6
100	3528232	HEXAGONAL NUT MEDIUM SIZE M4



## GRINDER ASSEMBLY SMMK-SMFK

**SMMK-SMFK**



SMM0601

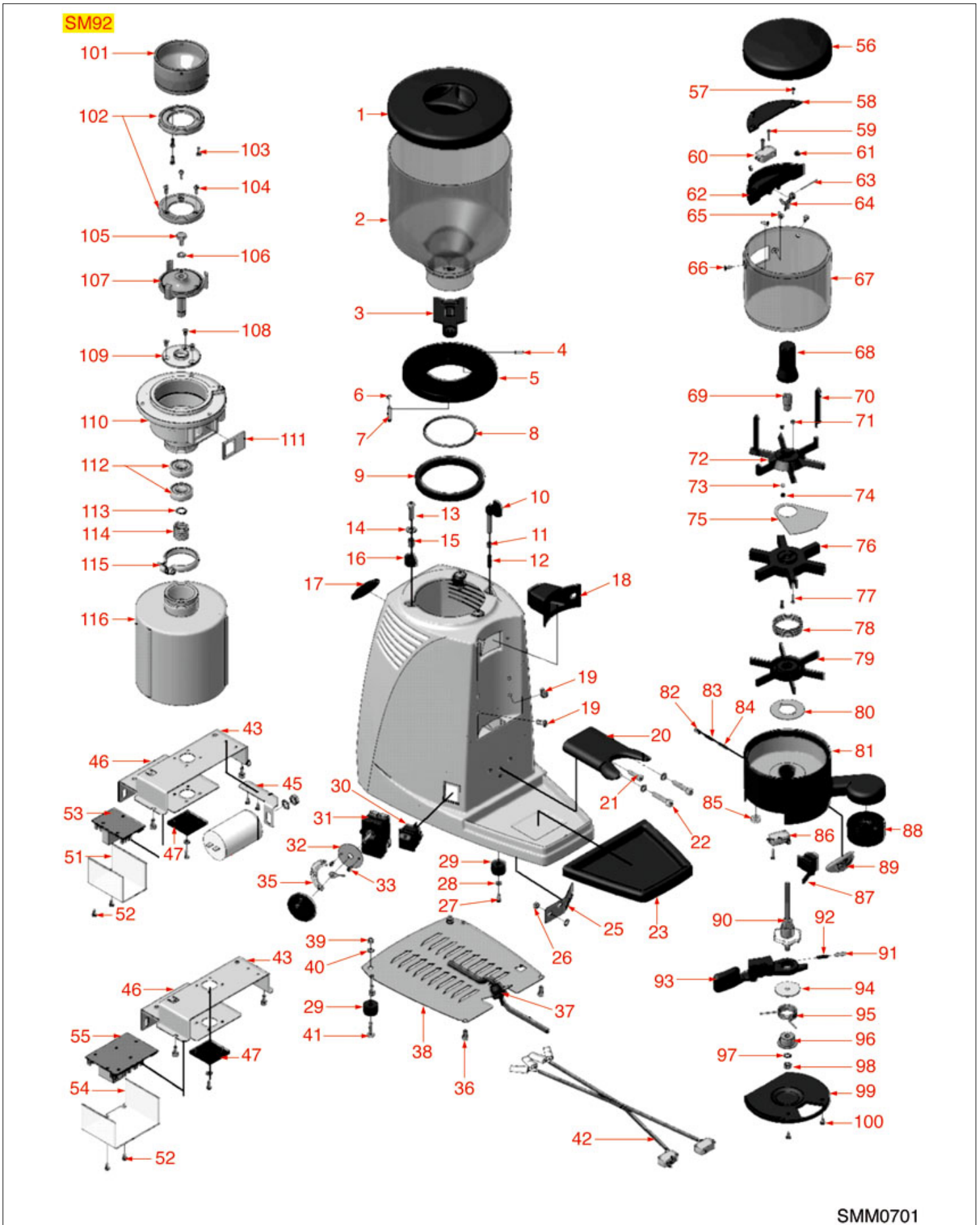


# SAN MARCO



Position	LF code no.	Description
1	1252040	COFFEE HOPPER LID $\varnothing$ 225 mm
2	1080003	COFFEE CONTAINER 4.6 L
2	1080005	COFFEE CONTAINER 6 L
3	1252035	COFFEE HOPPER CLOSING SHEET
5	1348817	STAINLESS STEEL CIRCLIP RA-4 UNI 7437
7	1186739	GASKET $\varnothing$ 98x80x9 mm
8	1186763	O-RING 0171 EPDM
11	1251012	HALF CONICAL GRIND.BURR S.MARCO(PAIR) RH
12	1528516	CYLINDER HEAD SCREW M5x12
19	1186485	GASKET FOR COFFEE OUTLET OPENING
26	1251134	CONICAL GRIND.BURRS SAN MARCO (PAIR) RH
27	1528049	CYLINDER HEAD SCREW M4x16
46	1252029	DOSER LID
48	1252031	MICROSWITCH BOX LID
49	5010319	SELF-TAPPING SCREW M2.9x16
50	3240123	MICROSWITCH 16A 250V
51	1252027	GASKET FOR COFFEE OUTLET OPENING
52	1252032	MICROSWITCH BOX
53	1240058	PIN FOR FLAP
54	1252038	OVERFLOW FLAP
57	1252043	DOSE ADJUSTMENT KNOB
58	1343068	DOSER SCRAPER
61	1343007	TOP STAR
62	1252036	DIVIDING SHEET
63	1252039	LOCKING BALL
64	1250049	SPRING FOR STAR CLOSING BALL
66	1343005	CENTRAL STAR
67	1348025	HEXAGONAL NUT M3
68	1250043	STAR SPRING
69	1343003	BOTTOM STAR
74	1252470	COUNTER FOR COFFEE GRINDER/DOSER
76	1250199	PIN SPRING $\varnothing$ 3.5x20 mm
77	1385018	COFFEE TAMPER $\varnothing$ 56.5 mm
78	1385008	TAMPER $\varnothing$ 53
80	1252028	DOSER LEVER PIN
81	1250045	PIN SPRING
82	1324113	DOSER LEVER PIN $\varnothing$ 5x16 mm
83	1252026	DOSER LEVER
84	3240406	MICROSWITCH 10(4)A 250V
86	1250048	DOSER LEVER RETURN SPRING
89	1528030	MID HEXAGONAL NUT M6
103	1252456	BUSHING $\varnothing$ 7x6x5,5 mm
104	1250200	PIN SPRING $\varnothing$ 5.5x32 mm
105	3319295	BLACK BIPOLAR SWITCH 16A 250V
106	1251013	FILTER HOLDER FORK
108	1260005	COFFEE COLLECTION TRAY
111	1390016	PRINTED CIRCUIT BOARD 230V
120	3528232	HEXAGONAL NUT MEDIUM SIZE M4

## GRINDER ASSEMBLY SM92



SMM0701

Positions without LF code no.: upon request



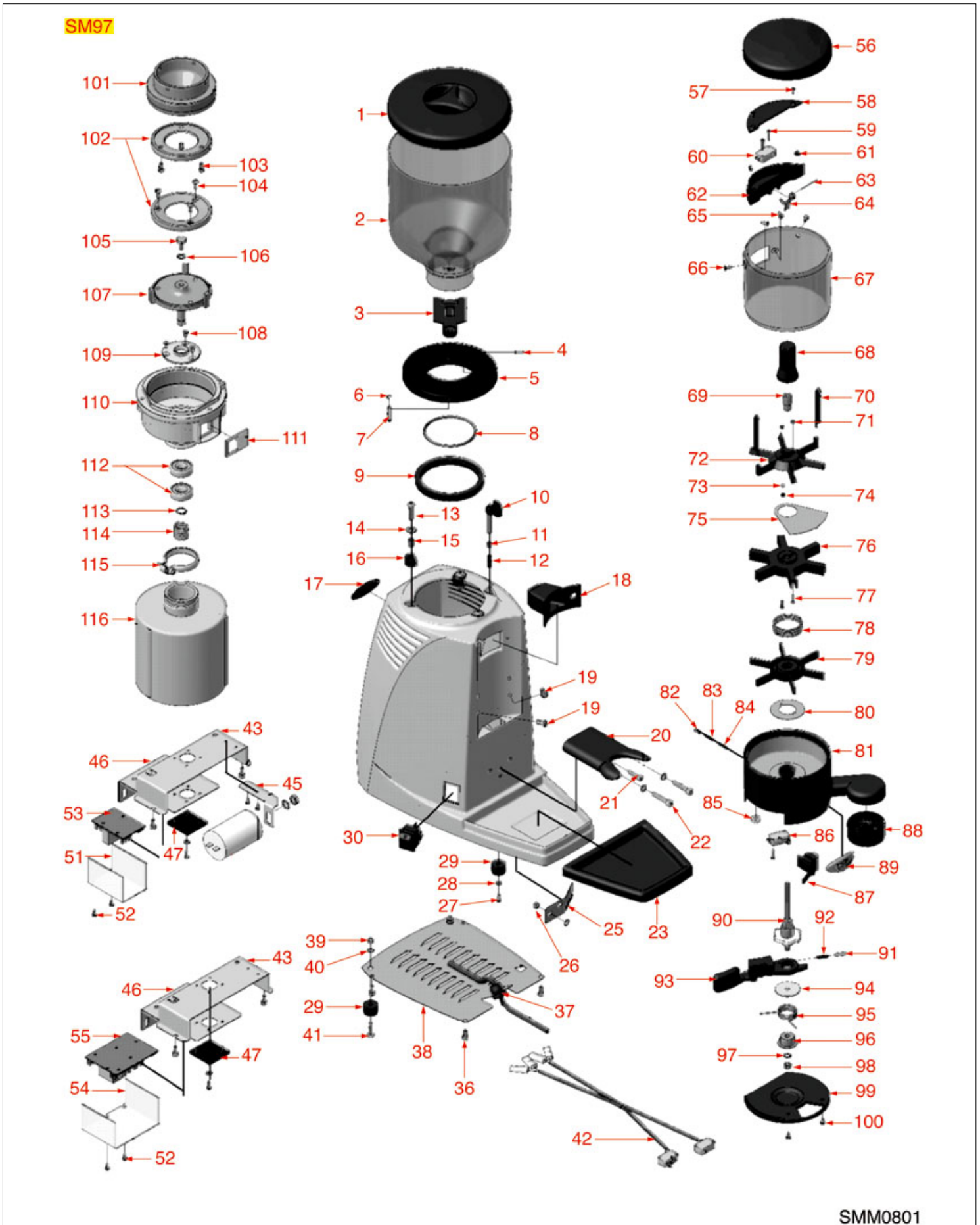
# SAN MARCO



Position	LF code no.	Description
1	1080100	COFFEE HOPPER LID $\varnothing$ 175 mm
2	1080004	COFFEE HOPPER
3	1252034	COFFEE HOPPER CLOSING SHEET
6	1348817	STAINLESS STEEL CIRCLIP RA-4 UNI 7437
8	1186763	O-RING 0171 EPDM
9	1186739	GASKET $\varnothing$ 98x80x9 mm
10	1252464	LOCKING PIN
11	1252456	BUSHING $\varnothing$ 7x6x5,5 mm
12	1250200	PIN SPRING $\varnothing$ 5.5x32 mm
18	1252027	GASKET FOR COFFEE OUTLET OPENING
20	1162018	FILTER HOLDER FORK
23	1260008	COFFEE COLLECTING TRAY
26	3528213	HEXAGONAL NUT MID M5
30	3319296	BLACK BIPOLAR SWITCH 16A 250V
39	3528213	HEXAGONAL NUT MID M5
53	1390016	PRINTED CIRCUIT BOARD 230V
56	1090028	DOSER LID $\varnothing$ 125 mm
58	1252031	MICROSWITCH BOX LID
59	5010319	SELF-TAPPING SCREW M2.9x16
60	3240123	MICROSWITCH 16A 250V
61	3528232	HEXAGONAL NUT MEDIUM SIZE M4
62	1252032	MICROSWITCH BOX
63	1240058	PIN FOR FLAP
64	1252038	OVERFLOW FLAP
67	1252023	DOSER CYLINDER
68	1241088	ADJUSTMENT KNOB
70	1343014	SCRAPER FOR DOSER
71	1348025	HEXAGONAL NUT M3
72	1343004	TOP STAR
73	1252039	LOCKING BALL
74	1250049	SPRING FOR STAR CLOSING BALL
75	1252036	DIVIDING SHEET
76	1343009	CENTRAL STAR
78	1250043	STAR SPRING
79	1343008	BOTTOM STAR
83	1250199	PIN SPRING $\varnothing$ 3.5x20 mm
86	3240406	MICROSWITCH 10(4)A 250V
87	1252470	COUNTER FOR COFFEE GRINDER/DOSER
88	1385021	TAMPER $\varnothing$ 53,7 mm
88	1385022	TAMPER $\varnothing$ 56,5 mm
90	1252028	DOSER LEVER PIN
91	1324113	DOSER LEVER PIN $\varnothing$ 5x16 mm
92	1250045	PIN SPRING
93	1252026	DOSER LEVER
95	1250048	DOSER LEVER RETURN SPRING
98	1528030	MID HEXAGONAL NUT M6
101	1251143	GRINDING BURRS UPPER HOLDER
102	1251086	GRINDING BURRS SAN MARCO (PAIR) RH
103	1528516	CYLINDER HEAD SCREW M5x12
104	1528516	CYLINDER HEAD SCREW M5x12
107	1251010	GRINDING BURRS BOTTOM HOLDER
111	1186485	GASKET FOR COFFEE OUTLET OPENING
114	1250059	MOTOR PIN SPRING
115	1168011	STAINLESS STEEL CLAMP FOR FLANGE PUMP



## GRINDER ASSEMBLY SM97



SMM0801

Positions without LF code no.: upon request



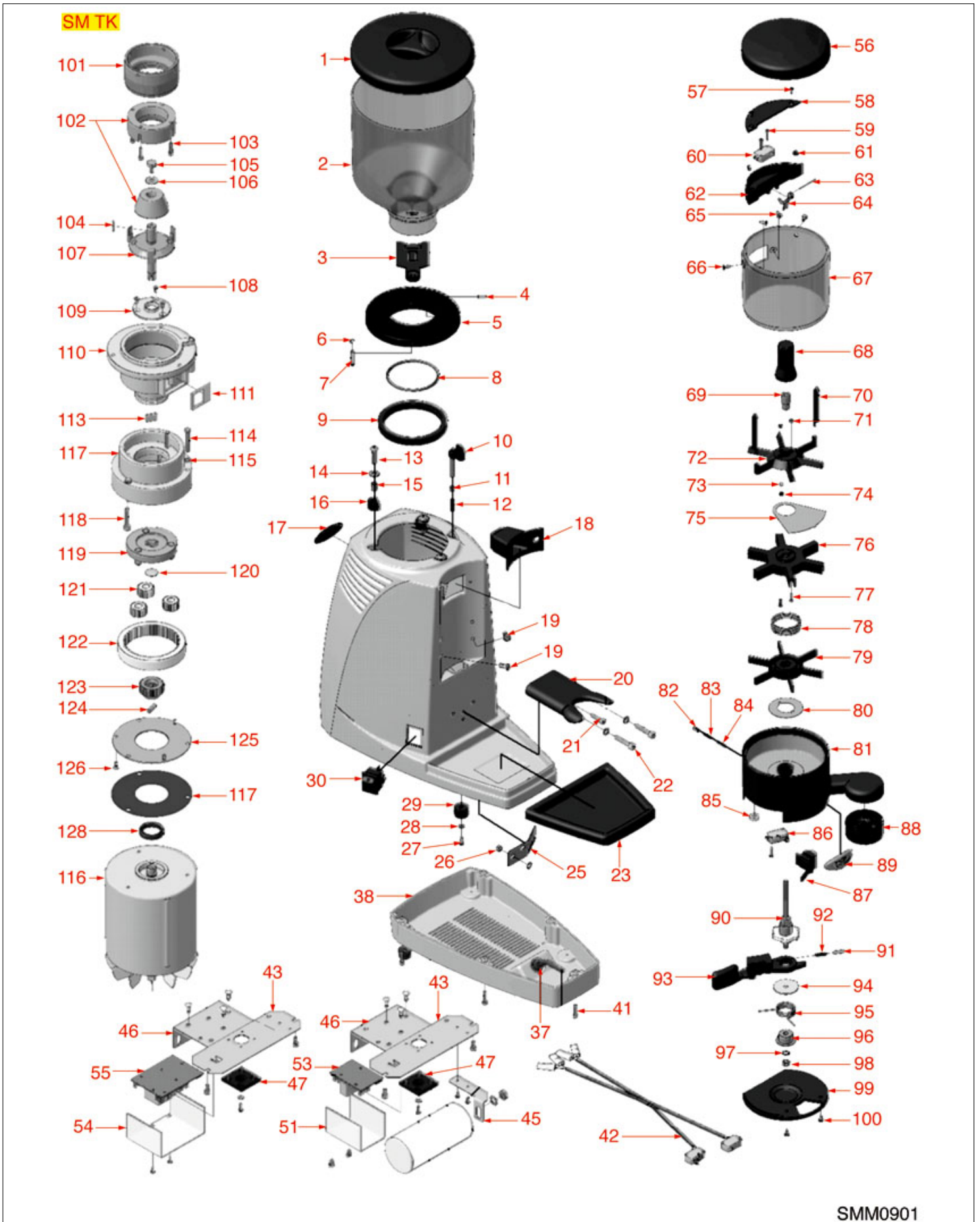
# SAN MARCO



Position	LF code no.	Description
1	1080100	COFFEE HOPPER LID $\varnothing$ 175 mm
2	1080004	COFFEE HOPPER
3	1252034	COFFEE HOPPER CLOSING SHEET
6	1348817	STAINLESS STEEL CIRCLIP RA-4 UNI 7437
8	1186763	O-RING 0171 EPDM
9	1186739	GASKET $\varnothing$ 98x80x9 mm
10	1252464	LOCKING PIN
11	1252456	BUSHING $\varnothing$ 7x6x5,5 mm
12	1250200	PIN SPRING $\varnothing$ 5.5x32 mm
18	1252027	GASKET FOR COFFEE OUTLET OPENING
20	1162018	FILTER HOLDER FORK
23	1260008	COFFEE COLLECTING TRAY
26	3528213	HEXAGONAL NUT MID M5
30	3319296	BLACK BIPOLAR SWITCH 16A 250V
39	3528213	HEXAGONAL NUT MID M5
53	1390016	PRINTED CIRCUIT BOARD 230V
56	1090028	DOSER LID $\varnothing$ 125 mm
58	1252031	MICROSWITCH BOX LID
59	5010319	SELF-TAPPING SCREW M2.9x16
60	3240123	MICROSWITCH 16A 250V
61	3528232	HEXAGONAL NUT MEDIUM SIZE M4
62	1252032	MICROSWITCH BOX
63	1240058	PIN FOR FLAP
64	1252038	OVERFLOW FLAP
67	1252023	DOSER CYLINDER
68	1241088	ADJUSTMENT KNOB
70	1343014	SCRAPER FOR DOSER
71	1348025	HEXAGONAL NUT M3
72	1343004	TOP STAR
73	1252039	LOCKING BALL
74	1250049	SPRING FOR STAR CLOSING BALL
75	1252036	DIVIDING SHEET
76	1343009	CENTRAL STAR
78	1250043	STAR SPRING
79	1343008	BOTTOM STAR
83	1250199	PIN SPRING $\varnothing$ 3.5x20 mm
86	3240406	MICROSWITCH 10(4)A 250V
87	1252470	COUNTER FOR COFFEE GRINDER/DOSER
88	1385021	TAMPER $\varnothing$ 53,7 mm
88	1385022	TAMPER $\varnothing$ 56,5 mm
90	1252028	DOSER LEVER PIN
91	1324113	DOSER LEVER PIN $\varnothing$ 5x16 mm
92	1250045	PIN SPRING
93	1252026	DOSER LEVER
95	1250048	DOSER LEVER RETURN SPRING
98	1528030	MID HEXAGONAL NUT M6
102	1251087	GRINDING BURRS SAN MARCO (PAIR) RH
103	1528516	CYLINDER HEAD SCREW M5x12
104	1528516	CYLINDER HEAD SCREW M5x12
107	1251133	GRINDING BURRS BOTTOM HOLDER $\varnothing$ 84 mm
111	1186485	GASKET FOR COFFEE OUTLET OPENING
114	1250059	MOTOR PIN SPRING
115	1168011	STAINLESS STEEL CLAMP FOR FLANGE PUMP



## GRINDER ASSEMBLY SMTK



SMM0901



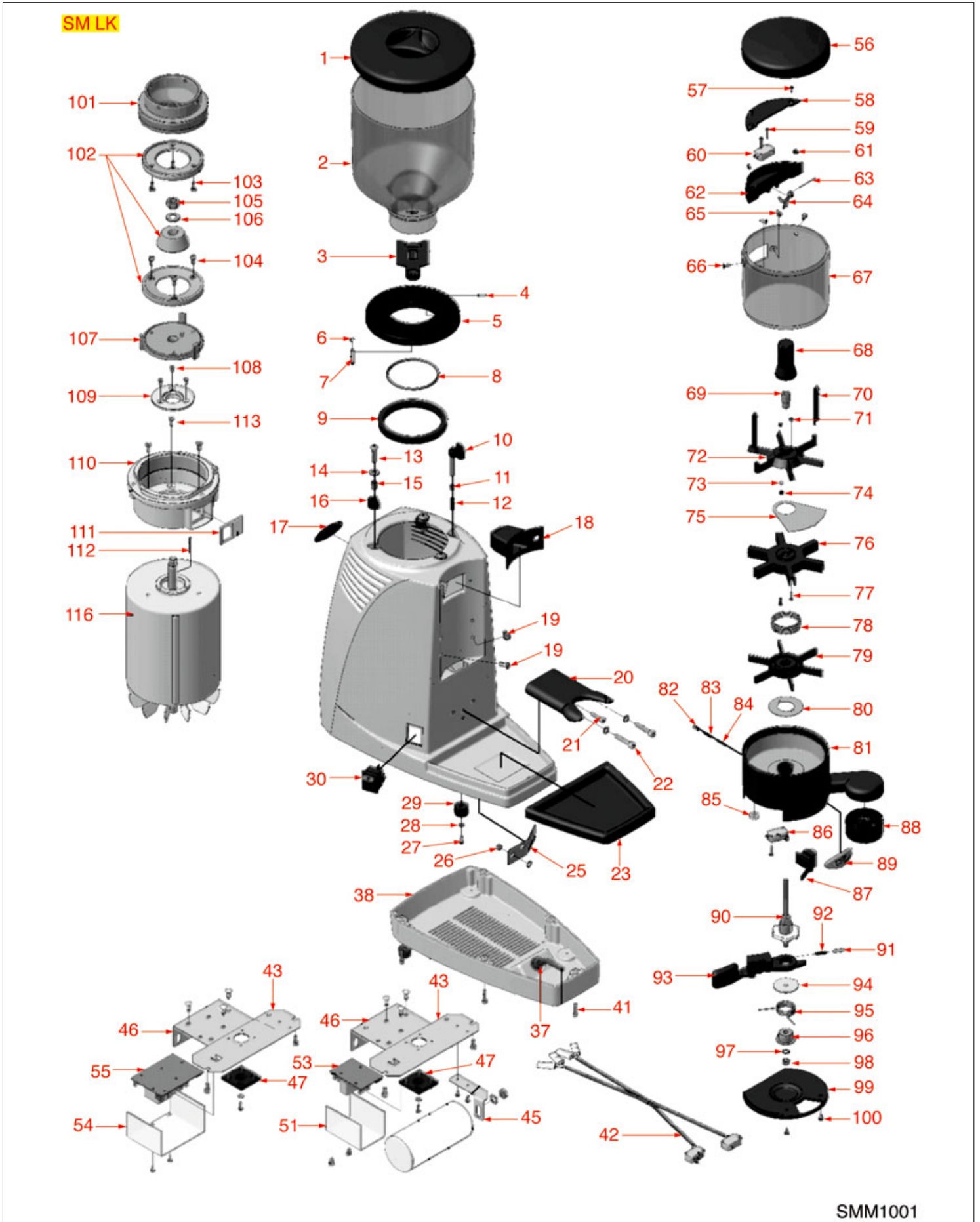
# SAN MARCO



Position	LF code no.	Description
1	1080100	COFFEE HOPPER LID $\varnothing$ 175 mm
2	1080004	COFFEE HOPPER
3	1252034	COFFEE HOPPER CLOSING SHEET
6	1348817	STAINLESS STEEL CIRCLIP RA-4 UNI 7437
8	1186763	O-RING 0171 EPDM
9	1186739	GASKET $\varnothing$ 98x80x9 mm
10	1252464	LOCKING PIN
11	1252456	BUSHING $\varnothing$ 7x6x5,5 mm
12	1250200	PIN SPRING $\varnothing$ 5.5x32 mm
18	1252027	GASKET FOR COFFEE OUTLET OPENING
20	1162018	FILTER HOLDER FORK
23	1260008	COFFEE COLLECTING TRAY
26	3528213	HEXAGONAL NUT MID M5
30	3319296	BLACK BIPOLAR SWITCH 16A 250V
53	1390016	PRINTED CIRCUIT BOARD 230V
56	1090028	DOSER LID $\varnothing$ 125 mm
58	1252031	MICROSWITCH BOX LID
59	5010319	SELF-TAPPING SCREW M2.9x16
60	3240123	MICROSWITCH 16A 250V
61	3528232	HEXAGONAL NUT MEDIUM SIZE M4
62	1252032	MICROSWITCH BOX
63	1240058	PIN FOR FLAP
64	1252038	OVERFLOW FLAP
67	1252023	DOSER CYLINDER
68	1241088	ADJUSTMENT KNOB
70	1343014	SCRAPER FOR DOSER
71	1348025	HEXAGONAL NUT M3
72	1343004	TOP STAR
73	1252039	LOCKING BALL
74	1250049	SPRING FOR STAR CLOSING BALL
75	1252036	DIVIDING SHEET
76	1343009	CENTRAL STAR
78	1250043	STAR SPRING
79	1343008	BOTTOM STAR
83	1250199	PIN SPRING $\varnothing$ 3.5x20 mm
86	3240406	MICROSWITCH 10(4)A 250V
87	1252470	COUNTER FOR COFFEE GRINDER/DOSER
88	1385021	TAMPER $\varnothing$ 53,7 mm
88	1385022	TAMPER $\varnothing$ 56,5 mm
90	1252028	DOSER LEVER PIN
91	1324113	DOSER LEVER PIN $\varnothing$ 5x16 mm
92	1250045	PIN SPRING
93	1252026	DOSER LEVER
95	1250048	DOSER LEVER RETURN SPRING
98	1528030	MID HEXAGONAL NUT M6
102	1251134	CONICAL GRIND.BURRS SAN MARCO (PAIR) RH
103	1528049	CYLINDER HEAD SCREW M4x16
111	1186485	GASKET FOR COFFEE OUTLET OPENING



## GRINDER ASSEMBLY SMLK



SMM1001

Positions without LF code no.: upon request



# SAN MARCO



Position	LF code no.	Description
1	1080100	COFFEE HOPPER LID $\varnothing$ 175 mm
2	1080004	COFFEE HOPPER
3	1252034	COFFEE HOPPER CLOSING SHEET
6	1348817	STAINLESS STEEL CIRCLIP RA-4 UNI 7437
8	1186763	O-RING 0171 EPDM
9	1186739	GASKET $\varnothing$ 98x80x9 mm
10	1252464	LOCKING PIN
11	1252456	BUSHING $\varnothing$ 7x6x5,5 mm
12	1250200	PIN SPRING $\varnothing$ 5.5x32 mm
18	1252027	GASKET FOR COFFEE OUTLET OPENING
20	1162018	FILTER HOLDER FORK
23	1260008	COFFEE COLLECTING TRAY
26	3528213	HEXAGONAL NUT MID M5
30	3319296	BLACK BIPOLAR SWITCH 16A 250V
53	1390016	PRINTED CIRCUIT BOARD 230V
56	1090028	DOSER LID $\varnothing$ 125 mm
58	1252031	MICROSWITCH BOX LID
59	5010319	SELF-TAPPING SCREW M2.9x16
60	3240123	MICROSWITCH 16A 250V
61	3528232	HEXAGONAL NUT MEDIUM SIZE M4
62	1252032	MICROSWITCH BOX
63	1240058	PIN FOR FLAP
64	1252038	OVERFLOW FLAP
67	1252023	DOSER CYLINDER
68	1241088	ADJUSTMENT KNOB
70	1343014	SCRAPER FOR DOSER
71	1348025	HEXAGONAL NUT M3
72	1343004	TOP STAR
73	1252039	LOCKING BALL
74	1250049	SPRING FOR STAR CLOSING BALL
75	1252036	DIVIDING SHEET
76	1343009	CENTRAL STAR
78	1250043	STAR SPRING
79	1343008	BOTTOM STAR
83	1250199	PIN SPRING $\varnothing$ 3.5x20 mm
86	3240406	MICROSWITCH 10(4)A 250V
87	1252470	COUNTER FOR COFFEE GRINDER/DOSER
88	1385021	TAMPER $\varnothing$ 53,7 mm
88	1385022	TAMPER $\varnothing$ 56,5 mm
90	1252028	DOSER LEVER PIN
91	1324113	DOSER LEVER PIN $\varnothing$ 5x16 mm
92	1250045	PIN SPRING
93	1252026	DOSER LEVER
95	1250048	DOSER LEVER RETURN SPRING
98	1528030	MID HEXAGONAL NUT M6
102	1251012	HALF CONICAL GRIND.BURR S.MARCO(PAIR) RH
103	1528516	CYLINDER HEAD SCREW M5x12
104	1528516	CYLINDER HEAD SCREW M5x12
111	1186485	GASKET FOR COFFEE OUTLET OPENING

## Circlips

- 1348817 STAINLESS STEEL CIRCLIP RA-4 UNI 7437**  
inox - ø esterno 9,3 mm - spessore 0,7 mm  
UNI 7434 - DIN 6799



SAN MARCO 204017

## Clamps

- 1168011 STAINLESS STEEL CLAMP FOR FLANGE PUMP**



SAN MARCO 202180

## Coffee measuring spoons

- 1069001 PLASTIC MEASURING SPOON 20 ml**



SAN MARCO 106017

## Containers for coffee

- 1080003 COFFEE CONTAINER 4.6 L**  
for Grinder-dispenser (SAN MARCO) SMFK - SMMK  
SM91 - SM96



SAN MARCO 106201

SAN MARCO 106201ML

- 1080005 COFFEE CONTAINER 6 L**  
top external ø 220 mm  
lower external ø 67 mm - overall height 231 mm  
for Grinder-dispenser (SAN MARCO) SMFK - SMMK  
SM91 - SM96



SAN MARCO 106202



Suitable for:

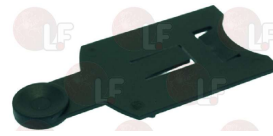
**1080004 COFFEE HOPPER**  
for Grinder-dispenser (SAN MARCO) SMLK - SMTK  
SM90 - SM92 - SM95 - SM97



SAN MARCO 106050      SAN MARCO 106166

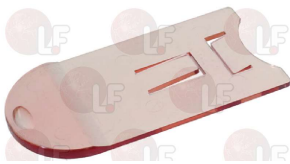
Suitable for:

**1252034 COFFEE HOPPER CLOSING SHEET**  
for Grinder-dispenser (SAN MARCO) SMLK - SMTK  
SM90 - SM92 - SM95 - SM97



SAN MARCO 106053

**1252035 COFFEE HOPPER CLOSING SHEET**  
for Grinder-dispenser (SAN MARCO) SMFK - SMMK  
SM91 - SM96



SAN MARCO 106203

**1252041 COFFEE HOPPER LID**



SAN MARCO 106143

**1080100 COFFEE HOPPER LID ø 175 mm**  
for Grinder-dispenser (SAN MARCO) SMLK - SMTK  
SM92 - SM97



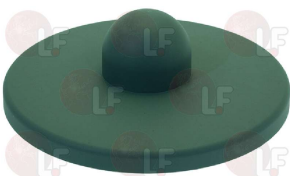
SAN MARCO 106550

**1080099 COFFEE HOPPER LID ø 180 mm**  
for Grinder-dispenser (SAN MARCO) SM90 - SM95



SAN MARCO 106051

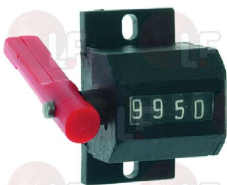
**1252040 COFFEE HOPPER LID ø 225 mm**  
for Grinder-dispenser (SAN MARCO) SMFK - SMMK  
SM91 - SM96



SAN MARCO 106200      SAN MARCO 106250

## Counters

**1252470 COUNTER FOR COFFEE GRINDER/DOSER**  
for dosing grinders with dosing lever on the right  
for Grinder-dispenser (SAN MARCO) SMFK - SMMK  
SM90 - SM91 - SM92 - SM95 - SM96



SAN MARCO 202175





## Dosers for coffee

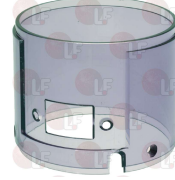
**1252456 BUSHING  $\varnothing$  7x6x5,5 mm**



SAN MARCO 206526

**1252023 DOSER CYLINDER**

for Grinder-dispenser (SAN MARCO) SMLK - SMTK  
SM90 - SM92 - SM95 - SM97

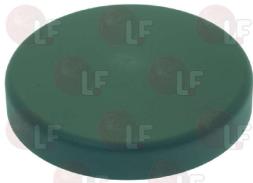


SAN MARCO 106036

SAN MARCO 106211

**1252029 DOSER LID**

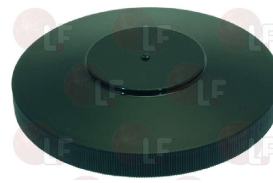
for Grinder-dispenser (SAN MARCO) SMFK - SMMK  
SM91 - SM96



SAN MARCO 106260

**1252022 DOSER LID  $\varnothing$  120 mm**

for Grinder-dispenser (SAN MARCO) SM90 - SM95



SAN MARCO 106044

**1090028 DOSER LID  $\varnothing$  125 mm**

for Grinder-dispenser (SAN MARCO) SMLK - SMTK  
SM92 - SM97



SAN MARCO 106551

**1343068 DOSER SCRAPER**



SAN MARCO 106269

**1343014 SCRAPER FOR DOSER**

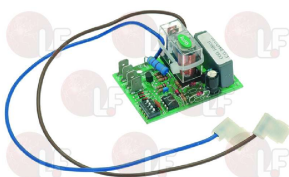


SAN MARCO 106045

## Electronic printed-circuit boards

**1390016 PRINTED CIRCUIT BOARD 230V**

dimensions 45x62 mm  
for Grinder-dispenser (SAN MARCO) SMFK - SMLK  
SMMK - SMTK - SM90 - SM91 - SM92 - SM95 - SM96  
SM97



SAN MARCO 108508

SAN MARCO 108604



Suitable for:

# SAN MARCO



Suitable for:

## Feet

**1313009 RECTANGULAR FOOT**



SAN MARCO 106054

## Forks for portafilter coffee grinder

**1162018 FILTER HOLDER FORK**  
for Grinder-dispenser (SAN MARCO) SMLK - SMTK  
SM92 - SM97



SAN MARCO 106553

**1162019 FILTER HOLDER FORK**  
for Grinder-dispenser (SAN MARCO) SM90 - SM95



SAN MARCO 106169

**1251009 FILTER HOLDER FORK**  
for Grinder-dispenser (SAN MARCO) SM90 - SM95



SAN MARCO 205496

**1251013 FILTER HOLDER FORK**  
for Grinder-dispenser (SAN MARCO) SMFK - SMMK  
SM91 - SM96



SAN MARCO 106259

## Gaskets and seals

**1252042 BEARING GASKET**



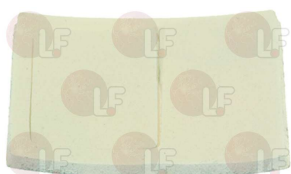
SAN MARCO 109102

**1186739 GASKET  $\varnothing$  98x80x9 mm**



SAN MARCO 109204

**1186485 GASKET FOR COFFEE OUTLET OPENING**  
for Grinder-dispenser (SAN MARCO) SMFK - SMMK  
SM90 - SM91 - SM95 - SM96



SAN MARCO 109105

**1252027 GASKET FOR COFFEE OUTLET OPENING**



SAN MARCO 106040

SAN MARCO 106216

SAN MARCO 106266

## Grinders

**1251134 CONICAL GRIND.BURRS SAN MARCO (PAIR) RH**  
 external  $\varnothing$  68/49 mm - internal  $\varnothing$  40/13 mm  
 thickness 25 mm - 4 mounting holes  
 for Grinder-dispenser (SAN MARCO) SMFK - SMTK



SAN MARCO 202251

**1251086 GRINDING BURRS SAN MARCO (PAIR) RH**  
 external  $\varnothing$  64 mm - internal  $\varnothing$  37 mm  
 thickness 8.5 mm - 3 mounting holes  
 for Grinder-dispenser (SAN MARCO) SM90 - SM91  
 SM92



SAN MARCO 202174

**1251087 GRINDING BURRS SAN MARCO (PAIR) RH**  
 external  $\varnothing$  84 mm - internal  $\varnothing$  45 mm  
 thickness 9 mm - 3 mounting holes  
 for Grinder-dispenser (SAN MARCO) SM95 - SM95A  
 SM96 - SM97



SAN MARCO 202213

SAN MARCO 202254

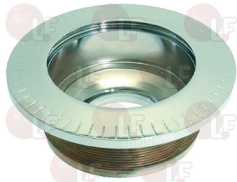
**1251012 HALF CONICAL GRIND.BURR S.MARCO(PAIR) RH**  
 external  $\varnothing$  84/45 mm - internal  $\varnothing$  50/13 mm  
 thickness 18/9 mm - 3 mounting holes  
 for Grinder-dispenser (SAN MARCO) SMFK - SMLK  
 SMMK - SM91 - SM96



SAN MARCO 202250

## Grinding burr holders

**1251005 GR.BURRS HOLDER UPPER RING NUT  $\varnothing$  63 mm**  
 for Grinder-dispenser (SAN MARCO) SM90 - SM95



SAN MARCO 502039

**1251010 GRINDING BURRS BOTTOM HOLDER**  
 for Grinder-dispenser (SAN MARCO) SM90 - SM91  
 SM92



SAN MARCO 502040

**1251133 GRINDING BURRS BOTTOM HOLDER  $\varnothing$  84 mm**  
 for Grinder-dispenser (SAN MARCO) SM95 - SM96  
 SM97



SAN MARCO 502060

**1251143 GRINDING BURRS UPPER HOLDER**  
 for Grinder-dispenser (SAN MARCO) SM90 - SM91  
 SM92



SAN MARCO 502100



Suitable for:

# SAN MARCO



Suitable for:

## Ironmongery (screws,nuts,washers)

### 1528023 COUNTERSUNK FLAT HEAD SCREWS M5x16

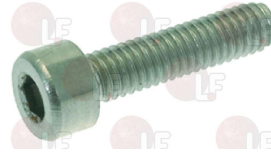
cross recessed - stainless steel  
UNI 7688 - DIN 965 - ISO 7046



SAN MARCO

### 1528049 CYLINDER HEAD SCREW M4x16

stainless steel - with hexagon socket  
UNI 5931 - DIN 912 - ISO 4762



SAN MARCO 204205

### 1528516 CYLINDER HEAD SCREW M5x12

stainless steel - slotted  
UNI 6107 - DIN 84 - ISO 1207



SAN MARCO 204061

SAN MARCO 204116

### 1528622 HEXAGON HEAD SCREW M8x16

stainless steel - UNI 5739 - DIN 933 - ISO 4017



SAN MARCO 204167

### 3528232 HEXAGONAL NUT MEDIUM SIZE M4

brass - UNI 5588 - DIN 934 - ISO 4032



SAN MARCO 203021

### 3528213 HEXAGONAL NUT MID M5

st./steel - UNI 5588 - DIN 934 - ISO 4032



SAN MARCO 203043

### 1348025 HEXAGONAL NUT M3

brass - UNI 5587 - ISO 4033



SAN MARCO 203022

### 1528030 MID HEXAGONAL NUT M6

stainless steel - UNI 5588 - DIN 934 - ISO 4032



SAN MARCO 203023

### 5010319 SELF-TAPPING SCREW M2.9x16

stainless steel - cylinder head  
cross recessed - C type end  
UNI 6954 - DIN 7981 - ISO 7049



SAN MARCO 204123

## Knobs

**1241088 ADJUSTMENT KNOB**  
for Grinder-dispenser (SAN MARCO) SMLK - SMTK  
SM90 - SM92 - SM95 - SM97



SAN MARCO 300316

**1252030 DOSE ADJUSTMENT KNOB**



SAN MARCO 300276

**1252043 DOSE ADJUSTMENT KNOB**  
for Grinder-dispenser (SAN MARCO) SMFK - SMMK  
SM91 - SM96



SAN MARCO 300360

## Levers

**1252026 DOSER LEVER**  
for Grinder-dispenser (SAN MARCO) SMLK - SMTK  
SM90 - SM92 - SM95 - SM97



SAN MARCO 300285

SAN MARCO 300355

## Microswitches

**1240031 COMPLETE MAGNET**



SAN MARCO 200064+202198

**1252032 MICROSWITCH BOX**



SAN MARCO 106049

SAN MARCO 106218

SAN MARCO 106268

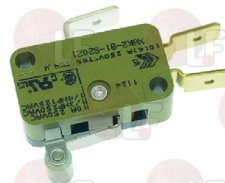
**1252031 MICROSWITCH BOX LID**



SAN MARCO 106047

SAN MARCO 106267

**3240406 MICROSWITCH 10(4)A 250V**



SAN MARCO 108231



Suitable for:

**3240123 MICROSWITCH 16A 250V**



SAN MARCO 108230

SAN MARCO 108482

Suitable for:

**1252038 OVERFLOW FLAP**



SAN MARCO 205432

**1240058 PIN FOR FLAP**



SAN MARCO 206204

## OR and ORM gaskets

**1186763 O-RING 0171 EPDM**



SAN MARCO 109103

**1186421 O-RING 02018 EPDM**



SAN MARCO 109108

**1186223 O-RING 02056 EPDM**



SAN MARCO 109116

## Pawls for coffee grinder dosers

**1252028 DOSER LEVER PIN**

for Grinder-dispenser (SAN MARCO) SMFK - SMLK  
SMMK - SMTK - SM90 - SM91 - SM92 - SM95 - SM96  
SM97



SAN MARCO 300309

**1225030 6-TEETH PAWL WITH KNOB**



SAN MARCO 300267

SAN MARCO 300309+300308+...

SAN MARCO 300309SX+...

## Pins

**1324113 DOSER LEVER PIN  $\varnothing$  5x16 mm**



SAN MARCO 300282

**1252039 LOCKING BALL**



SAN MARCO 300287

**1252464 LOCKING PIN**  
for Grinder-dispenser (SAN MARCO) SMLK - SMTK  
SM90 - SM92 - SM95 - SM97



SAN MARCO 106171

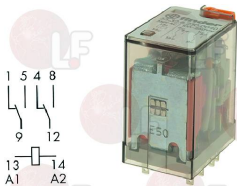
**1252033 THREADED RING NUT**



SAN MARCO 106141

## Relays

**3351007 POWER RELAY FINDER 55.32.8.230.0040**  
230V 50/60Hz  
2 exchange contacts 10A  
with to test push-button + mechanic gauge



SAN MARCO 108083

## Springs

**1250048 DOSER LEVER RETURN SPRING**  
for SANMARCO  
SM90-SM91-SM92-SM95-SM96-SM97-SMMK  
SMFK-SMLK-SMTK



SAN MARCO 300281

SAN MARCO 300306

**1250044 MICROSWITCH SPRING**



SAN MARCO 200066

**1250059 MOTOR PIN SPRING**  
for CIMBALI MAGNUM  
for FAEMA MD2000-MD3000



SAN MARCO 200063

**1250045 PIN SPRING**



SAN MARCO 300284



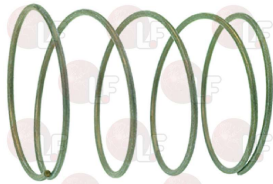
Suitable for:

1250199 PIN SPRING  $\varnothing$  3.5x20 mm



SAN MARCO 300265

1250049 SPRING FOR STAR CLOSING BALL



SAN MARCO 300288

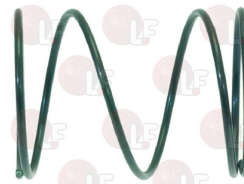
Suitable for:

1250200 PIN SPRING  $\varnothing$  5.5x32 mm



SAN MARCO 200061

1250043 STAR SPRING  
for SANMARCO  
SM90-SM91-SM92-SM95-SM96-SM97-SMMK  
SMFK-SMLK-SMTK



SAN MARCO 300273

## Stars and spare parts

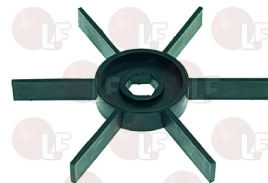
1343003 BOTTOM STAR



SAN MARCO 300313

SAN MARCO 300363

1343008 BOTTOM STAR



SAN MARCO 300271

1343005 CENTRAL STAR



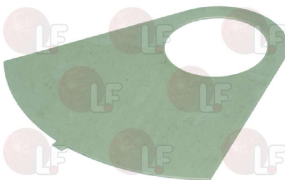
SAN MARCO 300362

1343009 CENTRAL STAR



SAN MARCO 300272

1252036 DIVIDING SHEET



SAN MARCO 300274

1343004 TOP STAR



SAN MARCO 300275

1343007 TOP STAR



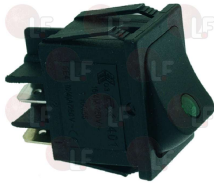
SAN MARCO 300311

SAN MARCO 300361



## Switches

**3319295 BLACK BIPOLAR SWITCH 16A 250V**  
 16(4)A 250V - with green led indicator light  
 max temperature 120°C  
 mounting hole 22x30 mm  
 for Grinder-dispenser (SAN MARCO) SMFK - SMMK  
 SM91 - SM95



SAN MARCO 108602

**3319501 SWITCH PROTECTION CAP**  
 external dimensions 29x36 mm  
 for switches with mounting hole 22x30 mm



SAN MARCO 106070

**3319296 BLACK BIPOLAR SWITCH 16A 250V**  
 with red led indicator light  
 max temperature 120°C  
 mounting hole 22x30 mm  
 for Grinder-dispenser (SAN MARCO) SMLK - SMTK  
 SM92 - SM97



SAN MARCO 108539

**3319029 GREEN BIPOLAR SWITCH 16A 250V**  
 16(4)A 250V - with indicator light  
 max temperature 120°C  
 mounting hole 22x30 mm



SAN MARCO 108108V

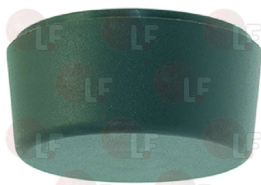
**3319501 SWITCH PROTECTION CAP**  
 external dimensions 29x36 mm  
 for switches with mounting hole 22x30 mm



SAN MARCO 106070

## Tampers for coffee

**1385018 COFFEE TAMPER ø 56.5 mm**



SAN MARCO 106264

**1385002 NYLON COFFEE TAMPER ø 50/57 mm**



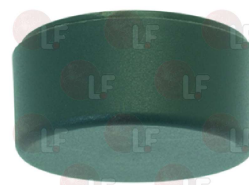
SAN MARCO

**1385000 NYLON TAMPER ø 50/52 mm**



SAN MARCO 106001

**1385008 TAMPER ø 53**



SAN MARCO 106263

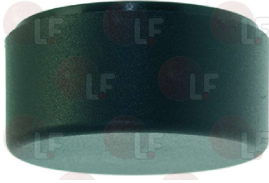


Suitable for:

# SAN MARCO



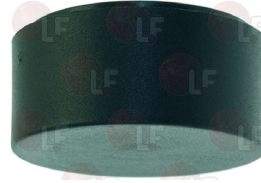
**1385021 TAMPER ø 53,7 mm**  
for Grinder-dispenser (SAN MARCO) SMLK - SMTK  
SM90 - SM92 - SM95 - SM97



SAN MARCO 106084

Suitable for:

**1385022 TAMPER ø 56,5 mm**  
for Grinder-dispenser (SAN MARCO) SMLK - SMTK  
SM90 - SM92 - SM95 - SM97



SAN MARCO 106085

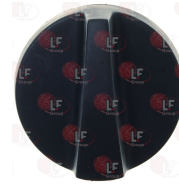
## Timers

**3446151 TIMER 5 MINUTES C20**  
manually set mechanical timer  
manually set cycle 5 minutes  
2 poles with contact capacity 16(3)A 250V  
max temperature 125°C  
D-shaped pin ø 6x4.6 mm  
for Grinder-dispenser (SAN MARCO) SM90 - SM95



SAN MARCO 108268

**3241161 BLACK KNOB ø 40 mm**  
D shaft hole 6x4.6 mm



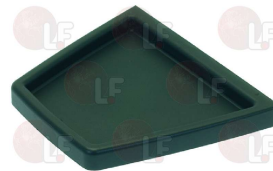
## Trays

**1260006 COFFEE COLLECTING TRAY**



SAN MARCO 106069

**1260008 COFFEE COLLECTING TRAY**  
for Grinder-dispenser (SAN MARCO) SMLK - SMTK  
SM92 - SM97



SAN MARCO 106554

**1260005 COFFEE COLLECTION TRAY**  
for Grinder-dispenser (SAN MARCO) SMFK - SMMK  
SM91 - SM96



SAN MARCO 106258

**1260009 COFFEE COLLECTION TRAY**  
for Grinder-dispenser (SAN MARCO) SM90 - SM95




















SAN MARCO 106167

*The data herewith contained may change without notice and LF SpA cannot be held responsible for possible errors stated or resulting by the use of this document. All rights reserved. No part of this publication may be reproduced without written permission by LF SpA.*



Distributing Components, Spare Parts & Accessories  
in original quality worldwide

- 
-  **LF SpA HEADQUARTERS**  
via Voltri, 80 - 47522 Cesena (FC) ITALY  
Tel. +39 0547 34 11 11 - Fax +39 0547 34 11 10  
[www.lfcomb724.it](http://www.lfcomb724.it) - [www.lfcomb724.mobi](http://www.lfcomb724.mobi) - [info@lfcomb.it](mailto:info@lfcomb.it)  
Export Dept.: Tel. +39 0547 34 11 50 - Fax: +39 0547 34 11 55  
[www.lfspareparts724.com](http://www.lfspareparts724.com) - [www.lfspareparts724.mobi](http://www.lfspareparts724.mobi)  
[export@lfspareparts.com](mailto:export@lfspareparts.com)
  -  **OOO LF RUSSIAN FEDERATION**  
Ul. Anatoliya Zhivova, 8 - office 1 - 123100 Moscow  
Tel. +7 499 259 85 75  
Fax +7 495 725 26 53  
[www.lfspareparts724.ru](http://www.lfspareparts724.ru)  
[www.lfspareparts724.mobi](http://www.lfspareparts724.mobi)  
[info@lfspareparts.ru](mailto:info@lfspareparts.ru)
  -  **EPGC Sas FRANCE**  
13, Rue des Forts - 59960 Neuville en Ferrain  
Tel. +33 (0)3 20 25 06 21  
Fax +33 (0)3 20 25 34 12  
[www.epgc.com](http://www.epgc.com)  
[www.epgc724.mobi](http://www.epgc724.mobi)  
[epgc@epgc.com](mailto:epgc@epgc.com)
  -  **LF Repuestos Horeca S.L.U. SPAIN**  
Calle Ciudad Real, 10 - 45517 Escalonilla - Toledo  
Tel. +34 91 477 91 00  
Fax +34 91 477 90 81  
[www.lfrepuestos-horeca724.es](http://www.lfrepuestos-horeca724.es)  
[www.lfrepuestos724.mobi](http://www.lfrepuestos724.mobi)  
[info@lfrepuestos.es](mailto:info@lfrepuestos.es)
  -  **LF GmbH GERMANY**  
Junkersstrasse, 1 - D-82178 Puchheim - München  
Tel. +49 89 89 45 78 66  
Fax +49 89 89 45 78 88  
[www.lfersatzteile724.de](http://www.lfersatzteile724.de)  
[www.lfersatzteile724.mobi](http://www.lfersatzteile724.mobi)  
[info@lfersatzteile.de](mailto:info@lfersatzteile.de)
  -  **LF SpA Cesena (IT) Swiss Branch Steinhausen SWITZERLAND**  
Sennweidstrasse, 45 - CH-6312 Steinhausen  
Tel. +41 (0)41 760 15 80-1  
Fax +41 (0)41 760 15 85  
[www.lfersatzteile724.ch](http://www.lfersatzteile724.ch)  
[www.lfersatzteilech724.mobi](http://www.lfersatzteilech724.mobi)  
[info@lfersatzteile.ch](mailto:info@lfersatzteile.ch)
  -  **LF China REPUBLIC OF CHINA**  
Room 403, No.2, Huadu Mansion, Lane 422, Huanghua Rd.  
Minhang Dist. - 201103 Shanghai  
Tel. +86 (0)21 33 53 66 31  
Fax +86 (0)21 33 53 66 32  
[www.lfspareparts724.com](http://www.lfspareparts724.com)  
[www.lfspareparts724.mobi](http://www.lfspareparts724.mobi)  
[china@lfspareparts.com](mailto:china@lfspareparts.com)
  -  **LF Spare Parts Ltd. UNITED KINGDOM**  
A10a Lakeside Business Park, Broadway Lane  
South Cerney, Gloucestershire GL7 5XL  
Tel. +44 (0)1285 86 16 25  
Fax +44 (0)1285 86 39 49  
[www.lfspareparts724.co.uk](http://www.lfspareparts724.co.uk)  
[www.lfspareparts724.mobi](http://www.lfspareparts724.mobi)  
[info@lfspareparts.co.uk](mailto:info@lfspareparts.co.uk)
- 
-  **AUSTRALIA AND NEW ZEALAND**  
[www.lfspareparts724.com](http://www.lfspareparts724.com)  
[andrea.calvio@lfspareparts.com](mailto:andrea.calvio@lfspareparts.com)
  -  **DENMARK**  
[www.lfspareparts724.dk](http://www.lfspareparts724.dk)  
[michael.lenth@lfspareparts.com](mailto:michael.lenth@lfspareparts.com)
  -  **AUSTRIA**  
[www.lfspareparts724.at](http://www.lfspareparts724.at)  
[ludwig.neier@lfersatzteile.at](mailto:ludwig.neier@lfersatzteile.at)
  -  **SOUTH KOREA**  
[www.lfspareparts724.com](http://www.lfspareparts724.com)  
[fabio.doni@lfspareparts.com](mailto:fabio.doni@lfspareparts.com)
  -  **BALKAN COUNTRIES**  
[www.lfspareparts724.com](http://www.lfspareparts724.com)  
[matija.ramov@lfspareparts.com](mailto:matija.ramov@lfspareparts.com)
  -  **TURKEY**  
[www.lfyedekparca724.com](http://www.lfyedekparca724.com)  
[basar.ergun@lfyedekparca.com](mailto:basar.ergun@lfyedekparca.com)
  -  **BALTIC COUNTRIES**  
[www.lfspareparts724.com](http://www.lfspareparts724.com)  
[inara.silina@lfspareparts.com](mailto:inara.silina@lfspareparts.com)
  -  **USA AND CANADA**  
[www.lfspareparts724.us](http://www.lfspareparts724.us)  
[sauro.dallaglio@lfspareparts.us](mailto:sauro.dallaglio@lfspareparts.us)  
[howard.truitt@lfspareparts.us](mailto:howard.truitt@lfspareparts.us)
  -  **CENTRAL AND EASTERN EUROPE**  
[www.lfspareparts724.cz](http://www.lfspareparts724.cz)  
[jiri.kremla@lfspareparts.cz](mailto:jiri.kremla@lfspareparts.cz)